

Standard Potentiometers

Series P2700



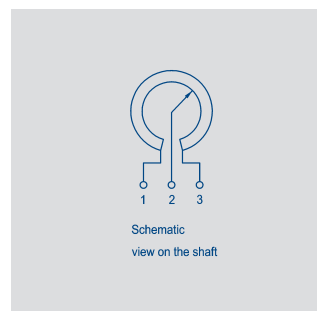
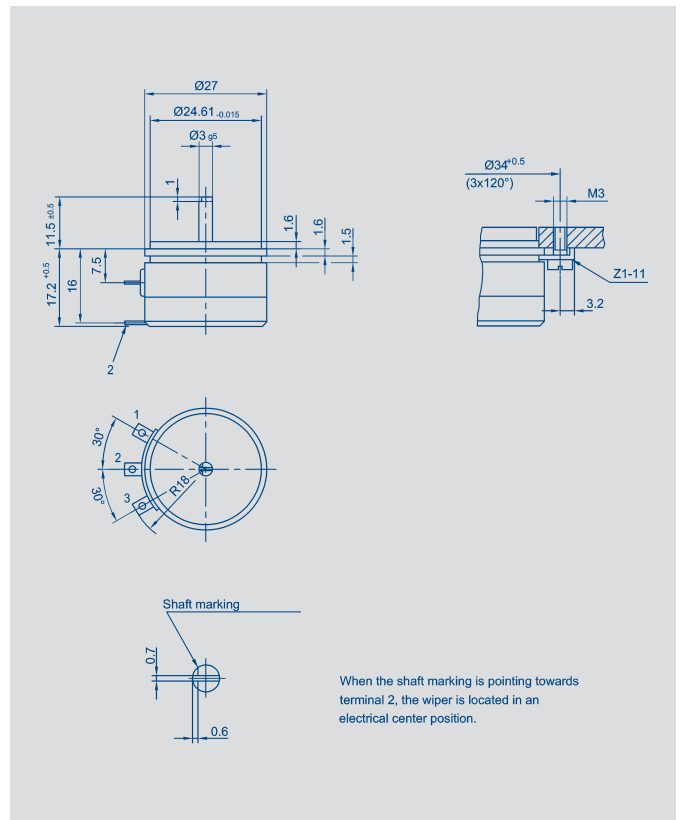
Special features

- industrial standard size with high precision at an attractive price
- very long life - 100×10^6 movements
- excellent linearity - standard $\pm 0.1\%$
- very good repeatability - better than 0.01°
- single integrated main bearing
- shaft with screwdriver slot and marking
- unrestricted continuous rotation

The distinctive features of this new generation of conductive plastic potentiometers are a single integrated main bearing with very close tolerances, shaft with screw-driver slot combined with a shaft marking for easy identification of the wiper position.

The standard version P 2701 A502 has a nominal resistance of $5 \text{ k}\Omega$.

Special versions with different electrical travels and shaft dimensions are available.



Description

Size	servo size 11
Case	anodized aluminium, cover plastic
Shaft	stainless steel with screwdriver slot and marking
Bearings	stainless integrated steel ball bearings, dust-protected
Resistance element	conductive plastic
Wiper assembly	precious metal multi-finger wipers
Electrical connections	terminals gold-plated brass

Novotechnik Stiftung & Co.
Messwertaufnehmer OHG

Postfach 4220
73745 Ostfildern (Ruit)
Horbstraße 12
73760 Ostfildern (Ruit)

Tel. +49 (0) 711 / 44 89-0
Fax +49 (0) 711 / 44 89-150
info@novotechnik.de
www.novotechnik.de

© 12/2001
Art.-Nr.: 062 707
Printed in Germany

Mechanical Data		
Dimensions	see drawing	
Mounting	with 3 clamps Z 1 - 11	
Mechanical travel	360, continuous	°
Permitted shaft loading (axial and radial) static or dynamic force	15	N
Maximum torque	≤0,06	Ncm
Maximum operational speed	10 000	min ⁻¹
Weight	20	g

Electrical Data		
Actual electrical travel	345 ±2	°
Nominal resistance	5	kΩ
Resistance tolerance	±20	%
Repeatability	≤0.003 (Δ 0.01°)	%
Effective temperature coefficient of the output-to-applied voltage ratio	typical 5	ppm/K
Independent linearity	±0.1	%
Max. permissible applied voltage	42	V
Recommended operating wiper current	≤ 1	μA
Max. wiper current in case of malfunction	10	mA
Insulation resistance (500 VDC, 1 bar, 2 s)	≥10	MΩ
Dielectric strength (50 Hz, 2 s, 1 bar, 500 VAC)	≤100	μA

Environmental Data		
Temperature range	-40...+100	°C
Vibration	5...2000 A _{max} = 0.75 a _{max} = 20	Hz mm g
Shock	50 11	g ms
Life	100 x 10 ⁶	movem.
Protection class	IP 50 (DIN 400 50 / IEC 529)	

Order designations	
Type	Art.no.
P2701 A502	014003

Type designations for non-standard models will be specified upon receipt of order.

Included in delivery
3 mounting clamps Z1-11

Recommended accessories
Fork coupling Z 103 G 3 (backlash free),
Process-controlled indicators MAP... with display,
Signal conditioner MUP.../
MUK ... for standardized output signals

Important
All the values given in this data sheet for linearity, lifetime and temperature coefficient in the voltage dividing mode are quoted for the device operating with the wiper voltage driving on operational amplifier working as a voltage follower, where virtually no load is applied to the wiper ($I_e \leq 1 \mu A$).

Subject to changes