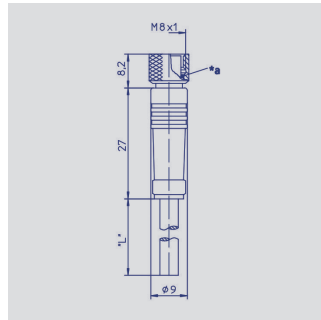


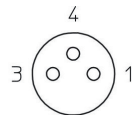
## Accessories

### Connector System M8



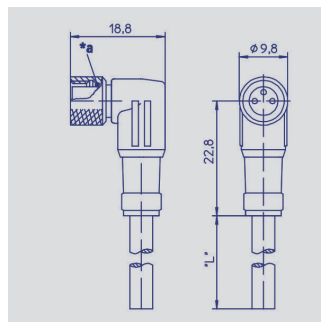
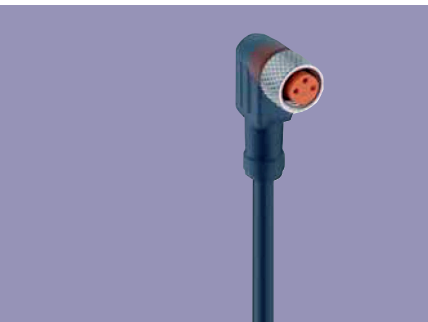
Pin assignment

- 1 = brown
- 3 = blue
- 4 = black



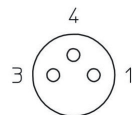
**M8x1 Mating female connector, 3-pin, straight, with molded cable, not shielded, IP67, open ended**

Connector housing	Plastic PA	
Cable sheath	PUR; Ø = max. 6 mm, -40 °C ... +90 °C	
Wires	PP, 3x0.34 mm <sup>2</sup>	
<b>Length</b>	<b>Type</b>	<b>P/N</b>
2 m	EEM 33-64	400005617
5 m	EEM 33-66	400005619
10 m	EEM 33-68	400005643



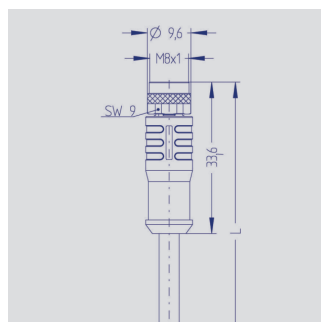
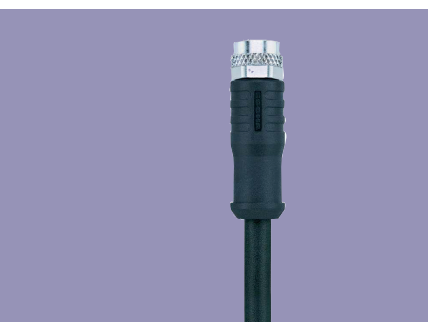
Pin assignment

- 1 = brown
- 3 = blue
- 4 = black



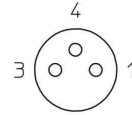
**M8x1 Mating female connector, 3-pin, angled, with molded cable, not shielded, IP67, open ended**

Connector housing	Plastic PA	
Cable sheath	PUR; Ø = max. 6 mm, -40 °C ... +90 °C	
Wires	PP, 3x0.34 mm <sup>2</sup>	
<b>Length</b>	<b>Type</b>	<b>P/N</b>
2 m	EEM 33-65	400005618
5 m	EEM 33-67	400005620
10 m	EEM 33-69	400005644



Pin assignment

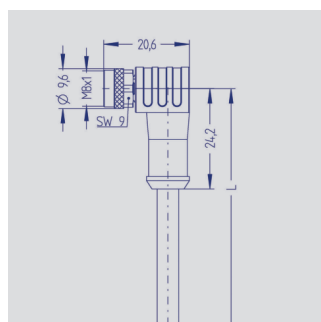
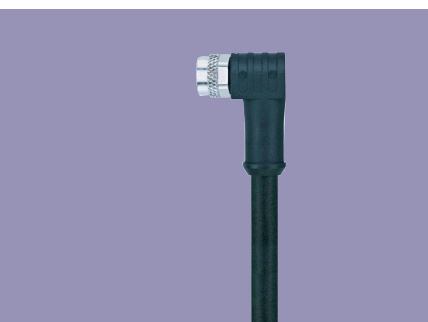
- 1 = brown
- 3 = blue
- 4 = black



**M8x1 Mating female connector, 3-pin, straight, with molded cable, shielded, IP67, open ended**

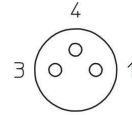
Connector housing	Plastic TPU	
Cable sheath	PUR; Ø = max. 6 mm, -40 °C ... +90 °C	
Wires	PP, 3x0.34 mm <sup>2</sup> *	
<b>Length</b>	<b>Type</b>	<b>P/N</b>
2 m	EEM 33-56	400005602
5 m	EEM 33-58	400005604
10 m	EEM 33-60	400005606

\*) Change-over from 3x0.25 mm<sup>2</sup> starting from Q4/2017



Pin assignment

- 1 = brown
- 3 = blue
- 4 = black



**M8x1 Mating female connector, 3-pin, angled, with molded cable, shielded, IP67, open ended**

Connector housing	Plastic TPU	
Cable sheath	PUR; Ø = max. 6 mm, -40 °C ... +90 °C	
Wires	PP, 3x0.34 mm <sup>2</sup> *	
<b>Length</b>	<b>Type</b>	<b>P/N</b>
2 m	EEM 33-57	400005603
5 m	EEM 33-59	400005605
10 m	EEM 33-61	400005607

\*) Change-over from 3x0.25 mm<sup>2</sup> starting from Q4/2017

**Note:** The protection class is valid only in locked position with its plugs. The application of these products in harsh environments must be checked in particular cases.

**IP67** Protection class IP67 (DIN EN60529)

**UL** UL - approved

Very good Electromagnetic Compatibility (EMC) and shielded systems

Very good resistance to oils, coolants and lubricants

Suited for applications in dragchains (restricted temperature range)

a\* O-Ring  
b\* Protective sleeve mounting

Novotechnik  
Messwertaufnehmer OHG  
Postfach 4220  
73745 Ostfildern (Germany)  
Horbstraße 12  
73760 Ostfildern (Germany)  
Telefon +49 711 4489-0  
Telefax +49 711 4489-118  
info@novotechnik.de  
www.novotechnik.de



© 09/2017  
Subject to change.  
Printed in Germany.

The specifications contained in our datasheets are intended solely for informational purposes. The documented specification values are based on ideal operational and environmental conditions and can vary significantly depending on the actual customer application. Using our products at or close to one or more of the specified performance ranges can lead to limitations regarding other performance parameters. It is therefore necessary that the end user verifies relevant performance parameters in the intended application. We reserve the right to change product specifications without notice.