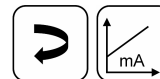


**NOVOHALL  
Rotary Sensor  
Non-contacting**

**RSC-2800**

Current

**Industrial**



**Special Features**

- Non-contacting, magnetic technology
- Measuring range up to 360°
- Available with push-on coupling or marked shaft
- Simple mounting
- Protection class IP54, IP65, IP67
- Long life
- Very small hysteresis
- High resolution 12 bits
- Linearity <math>< \pm 0.5\% </math>
- Other configurations see separate data sheets

**Applications**

- Manufacturing Engineering (textile machinery, packaging machinery, sheet metal and wire machinery)
- Automation technology
- Medical engineering

The RSC-2800 sensor utilizes a contactless magnetic measurement technology to determine the measured angle. Unlike conventional Hall sensors, the orientation of the magnetic field is measured. The position information corresponding to the angular position is transmitted via a variety of analog and digital interfaces (see separate data sheets).

The housing is made of a special high grade temperature-resistant plastic material. Elongated slots allow simplicity in mounting together with ease of mechanical adjustment.

Three shaft options are available, including a push-on coupling option that ensures fast and simple installation.

**Description**

Material	Housing: high grade, temperature resistant plastic PPS-GF40/SF50 Shaft: stainless steel, X8CrNiS18-9 1.4305
Mounting	With 2 screws M4 and washers
Max. fastening torque of mounting screws	max. 180 Ncm
Bearing	Sintered bronze bushing
Electrical connection	Cable 4x 0.5 mm <sup>2</sup> (AWG 20), TPE, shielded / Connector M12x1, A-coded with cable L = 0.15 m

**Mechanical Data**

Dimensions	See dimension drawing
Mechanical travel	360° continuous
Permitted shaft load static or dynamic	20 N (axial / radial)
Torque	0.15 Ncm (IP54), 0.5 Ncm (IP65), 1.0 Ncm (IP67)
Weight	approx. 50 g

## Ordering Specifications

### Ordering Specifications

**Preferred types printed in bold**

- Delivery time up to 25 pcs. within 10 working days EXW
- Best low-volume pricing

**Supply voltage Ub**

1: Ub = 24 VDC

**Interface parameters**

2: 4 ... 20 mA

**Output characteristic**

- 1: **Rising output characteristic cw**  
 2: Rising output characteristic ccw  
 Other output characteristics on request

**Electrical connection**

- 201: Cable, 4-pole, shielded, L = 0.5 m  
**202: Cable, 4-pole, shielded, L = 1 m**  
**206: Cable, 4-pole, shielded, L = 3 m**  
 210: Cable, 4-pole, shielded, L = 5 m  
 220: Cable, 4-pole, shielded, L = 10 m  
**501: Conector M12x1, 4-pin, with cable, shielded, L = 0.15 m**  
 Cable versions and assembled connectors on request

**R S C - 2 8 3 2 - 6 3 6 - 1 2 1 - 2 0 2**

Series

**Measuring range**

- 03: Angle 0° ... 30° min.  
 ...  
**06, 12, 18, 24, 36**  
 ...  
 36: Angle 0° ... 360° max.  
 Other angles on request

**Number of channels**

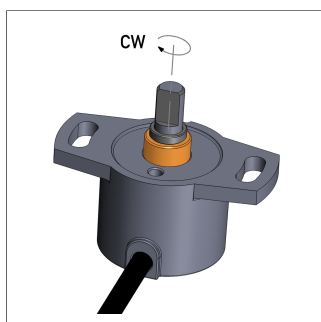
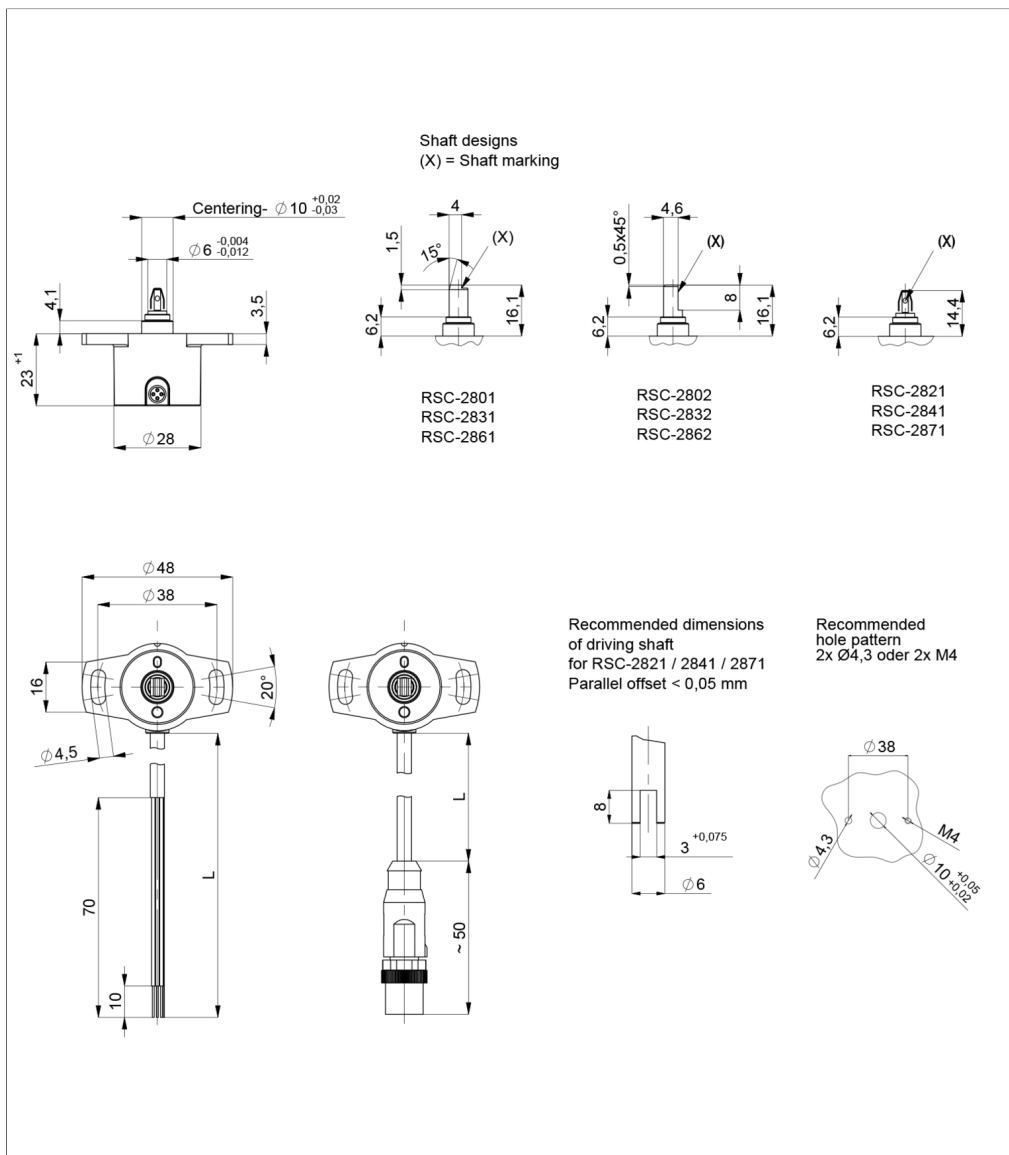
6: **One-channel version (1 x supply voltage Ub / 1 x output)**

**Mechanical version**

- 2801: 6 mm shaft with marking, IP54\*  
 2831: 6 mm shaft with marking, IP65\*  
 2861: 6 mm shaft with marking, IP67\*  
 2802: 6 mm shaft with flattening, IP54  
**2832: 6 mm shaft with flattening, IP65**  
 2862: 6 mm shaft with flattening, IP67  
 2821: push-on coupling, IP54  
**2841: push-on coupling, IP65**  
 2871: push-on coupling, IP67  
 Other shaft configurations on request  
 \* Not recommended for new designs

**Drawing**

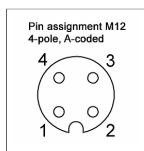
CAD data see  
www.novotechnik.de/en/download/cad-  
data/



When the marking of the shaft is pointing towards the electrical outlet, the sensor output is near the electrical center position.

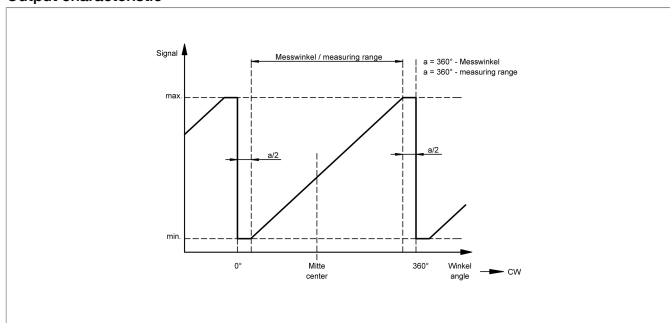
## Technical Data

Type	RSC-28 _ _ _ _ -12 _ _ _ _	
Output signal	4 ... 20 mA	
Burden	≤ 500 Ω	
Number of channels	1	
Update rate	typ. 5 kHz	
Measuring range	0 ... 30° up to 0 ... 360° in 10°-steps	
Independent linearity	≤ ±0.5 %FS	
Resolution	12 bits	
Repeatability	≤ ±0.1°	
Hysteresis	≤ ±0.1°	
Temperature error	Measuring range 30 ... 170°: ≤ ±0.94 %FS, Measuring range > 180°: ≤ ±0.5 %FS	
Supply voltage Ub	24 VDC (18 ... 30 VDC)	
Current consumption w/o load	typ. 15 mA (typ. 8 mA on request)	
Polarity protection	yes (supply lines)	
Short circuit protection	yes (output vs. GND and supply voltage)	
Insulation resistance (500 VDC)	≥ 10 MΩ	
<b>Environmental Data</b>		
Max. operational speed	800 rpm	
Vibration IEC 60068-2-6	20 g, 5 ... 2000 Hz, Amax = 0.75 mm	
Shock IEC 60068-2-27	50 g, 6 ms	
Protection class DIN EN 60529	IP54 / IP65 / IP67	
Operating temperature	-40 ... +85°C	
	-25 ... +85°C (connector M12)	
Life	> 50 Mio. movements (mechanically)	
Functional safety	If you need assistance in using our products in safety-related systems, please contact us	
MTTF (IEC 60050)	105 years	
<b>EMC Compatibility</b>		
EN 61000-4-2 ESD (contact/air discharge)	4 kV, 8 kV	
EN 61000-4-3 Electromagnetic fields (RFI)	10 V/m	
EN 61000-4-4 Fast transients (burst)	1 kV	
EN 61000-4-6 Cond. disturbances (HF fields)	10 V eff.	
EN 61000-4-8 Magnetic fields	3 A/m	
EN 55011 Noise radiation	Class B	
<b>Connection Assignment</b>		
Signal	Cable code 2_ _	Connector code 5_ _
Supply voltage Ub	GN	Pin 1
GND	BN	Pin 3
Signal output	WH	Pin 2
Do not connect / not assigned	YE	Pin 4
Connect cable shielding to GND		

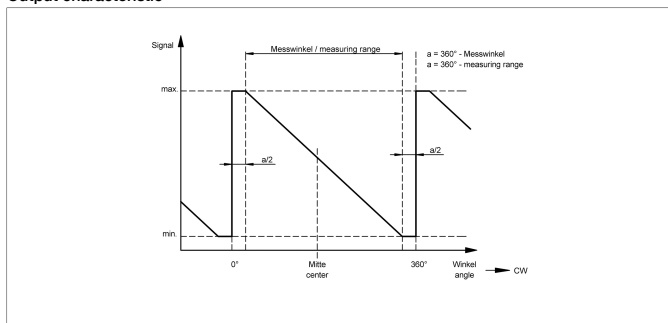


# Technical Data Output Characteristics

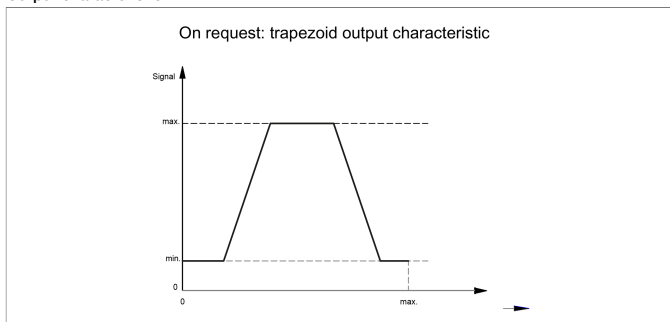
Output characteristic



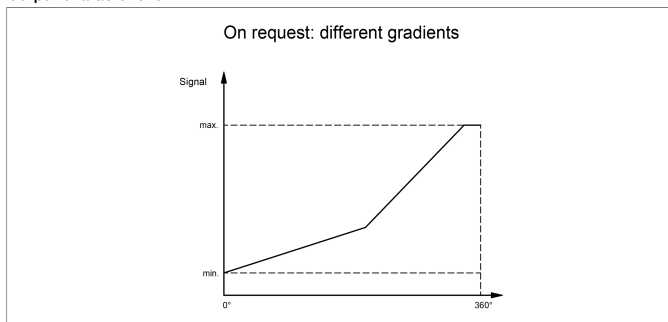
Output characteristic



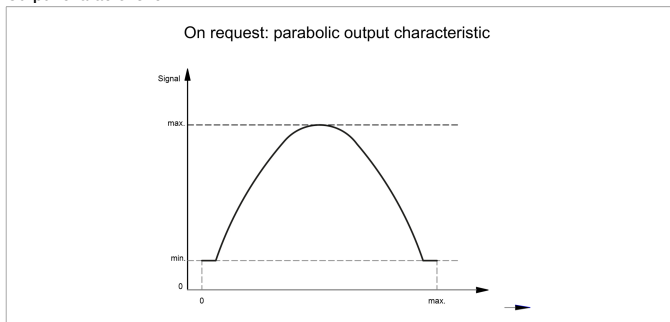
Output characteristic



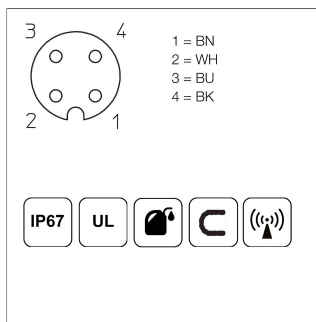
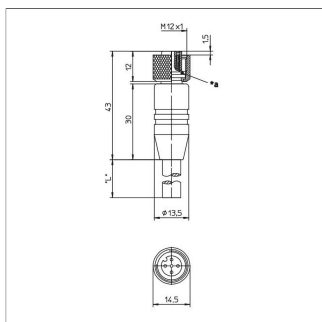
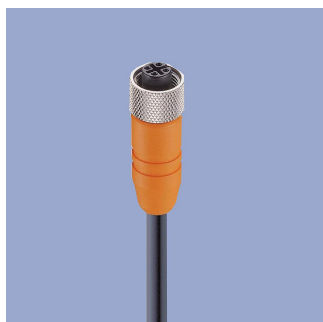
Output characteristic



Output characteristic



## Connector System M12



**EEM-33-32/62/97**  
M12x1 Mating female connector, 4-pin, straight, A-coded, with molded cable, shielded, IP67, open ended

Plug housing PA  
Cable sheath PUR, Ø = max. 6 mm, -25 ... +80°C (moved), -50 ... +80°C (fixed)

Lead wires PP, 0.34 mm<sup>2</sup>

P/N	Type	Length
400005600	EEM-33-32	2 m
400005609	EEM-33-62	5 m
400005650	EEM-33-97	10 m

**IP67** Protection class IP67 DIN EN 60529

**IP68** Protection class IP68 DIN EN 60529

Very good Electromagnetic Compatibility (EMC) and shield systems

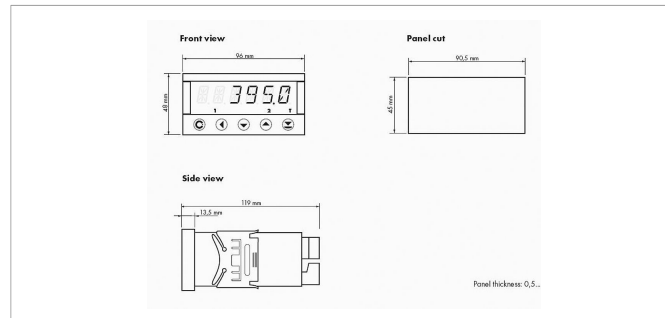
Very good resistance to oils, coolants and lubricants

**C** Suited for applications in dragchains

**UL** UL - approved

CAN-Bus

## Signal Processing



### MAP-4000

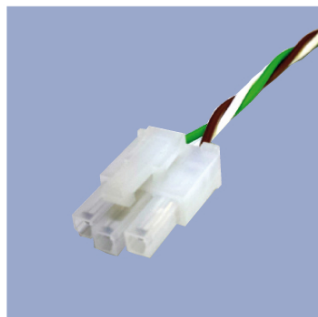
Multifunctional measuring device with digital display for direct connection of potentiometric and normalized signals.

- Supply voltage 10...30 VDC, 80...250 VDC or AC
- High accuracy up to 0.1%
- Adjustable supply voltage for sensors 5...24 V
- Temperature coefficient 100 ppm/K
- Optional RS 232, RS 485, analog output, limited switch
- Complete data see separate data sheet MAP-4000

## Connecting Options on request



- M12 connector**
- Customized lengths
  - 3-, 4-, 6- and 8-pole versions
  - Protection class IP68
  - Ordering codes of standard versions see ordering specifications



- Molex Mini Fit jr.**
- Customized length and lead wires
  - 3-, 4- and 6-pole versions
  - On request



- Tyco AMP Super Seal**
- Pin- and bushing housing
  - Customized lengths
  - 3-, 4- and 6-pole versions
  - Protection class IP67
  - On request



- Molex Mini Fit jr.**
- Customized length and lead wires
  - 3-, 4- and 6-pole versions
  - On request



- Deutsch DTM 04**
- Pin- and bushing housing
  - Customized lengths
  - 3-, 4- and 6-pole versions
  - Protection class IP67
  - On request



- ITT Cannon Sure Seal connector**
- Customized lengths
  - 3-, 4- and 6-pole versions
  - Protection class IP67
  - On request



Novotechnik  
Messwertaufnehmer OHG  
P.O.Box 4220  
73745 Ostfildern (Germany)  
Horbstrasse 12  
73760 Ostfildern (Germany)  
Phone +49 711 4489-0  
Fax +49 711 4489-118  
info@novotechnik.de  
www.novotechnik.de



© Jan 29, 2020

The specifications contained in our datasheets are intended solely for informational purposes. The documented specification values are based on ideal operational and environmental conditions and can vary significantly depending on the actual customer application. Using our products at or close to one or more of the specified performance ranges can lead to limitations regarding other performance parameters. It is therefore necessary that the end user verifies relevant performance parameters in the intended application. We reserve the right to change product specifications without notice.